



A.D. METALNA INDUSTRIJA VRANJE
Radnicka br: 1

**CONTINUOUSLY BURNING FIREPLACE
- RUSTIKAL -**



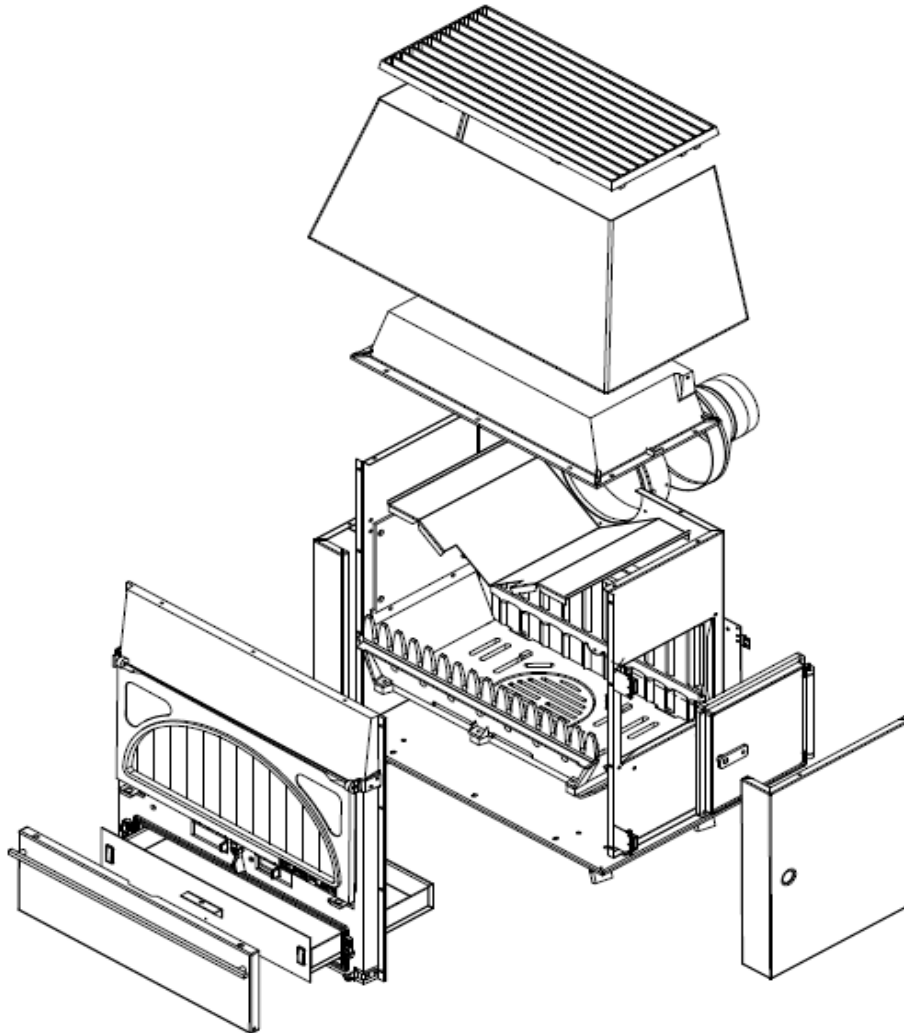
INSTRUCTIONS FOR INSTALLATION, ADJUSTMENT AND USE

The content:

1. TECHNICAL DATA.....	1
2. WARNING BEFORE USE.....	1
3. FIREPLACE DESCRIPTION	1
4. FIREPLACE INSTALLATION.....	2
5. HANDLING AND MANNER OF USE	3
6. FIREPLACE MAINTENACE	3

1. TECHNICAL DATA

-width	720 mm
-depth	440 mm
-height	820 mm
-diameter of flue extension	Ø 210 mm
- height from the floor to the axis of flue pipe	652 mm
- firebox height	18 dm ³
-rated heating power	11 kW
-volume of ash container	9 dm ³
- heating capacity of the room	100 -150 m ³
- type of fuel: wood	
- mass	125 kg
- regulated combustion with a possibility for air quantity adjustment between air regulators.	



2. WARNING BEFORE USE

(You must read the instructions)

The continuously burning fireplace, after removing the packing, should be completed by fastening cast support 4 pieces by using screws, washers and nuts. The supports - new fireplaces and the pouch with screws are packed and placed in the ash container and a special cast key is in the same container.

The fireplace unpacked in this way, with mounted legs should be inspected whether it is complete in regard to basic elements and whether the fireproof glass on the front door is good.

3. FIREPLACE DESCRIPTION

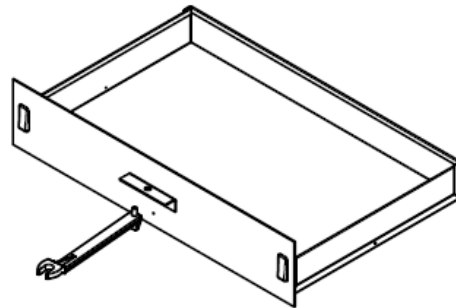
The continuously burning fireplace is constructed so that it enables efficient solid fuel combustion with a possibility for adjustment and regulation of the required air quantity for the combustion process.

According to its construction, the fireplace differs from the other solid fuel stoves, both in the design, as well as in the composition of certain elements. It is made of sheet metal and cast positions which provide it very easy maintenance and cleaning.

The firing chamber is made of sheet metal and coated with cast positions from the inner side. On the front side of the fireplace are the front doors with fireproof glass through which the flame is seen, which gives a special effect to heating in the room. Also, on the right side of the fireplace is the door for stoking, which can be open after previously opening the right lateral side of the fireplace. The right lateral side is connected to the chamber with a hinge and a bracket. The closed lateral side stays connected to the chamber with a magnet.

Opening and closing of the right lateral doors is performed with a special pin by lifting the crank in a way that the pin notch is placed in the crank opening.

The front door of the fireplace is locked with a locker, and it is reverse around the carrier and can be turned into upper position, so that they lean on the front side. Turning of the front door is possible after lifting the cap by turning around the hinge base.



Item – b

The cap can be kept in lifted position by leaning on the support on the firing chamber cover. When using the fireplace, use the spade and poker.

The ashtray mass rotates around the lower horizontal axis – “falls on the floor, and is held to the front side with the snap. Below the mask there are two air regulators and for regulation of the required air quantity for combustion.

The ashtray is locked with a locker and it is pulled out with a special pin – item “b” in a manner that the pin top is placed in the ashtray holder.

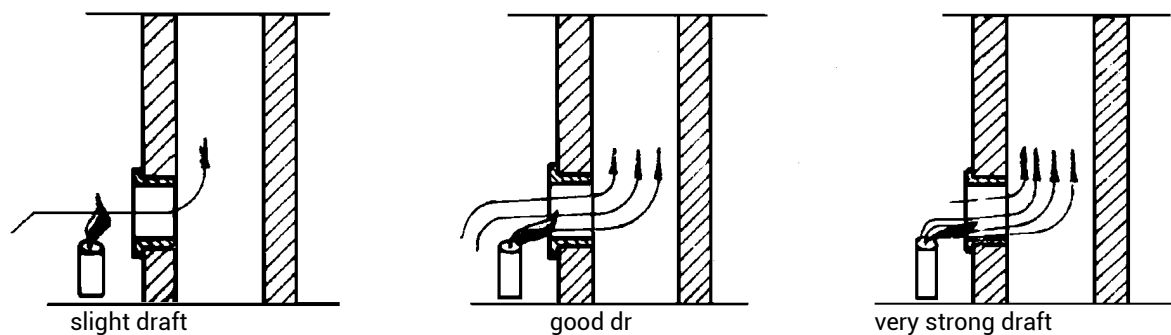
On the back side of the fireplace there is a cast soccer sock with the butterfly axis and the butterfly used for regulating the draft. The butterfly position is fixed to the axis by a spring thus retaining the chosen draft. Strongest draft in the fireplace is achieved when the butterfly axis is in horizontal position, and weakest when it is in vertical position. The nominal draft in the flue is 10 Pa (1 mm BC).

4. FIREPLACE INSTALLATION

Before connecting the fireplace to the flue installation, it should be checked whether the opening on the wall in the flue is \emptyset 210 mm or \emptyset 120 mm. If it is \emptyset 210 mm make direct connection and if it is \emptyset 210 mm you need to reduce the opening of \emptyset 210 mm to \emptyset 120 mm.

NOTE: The fireplace should be placed at a distance of least 0,5 m from the surrounding objects and walls in the house.

For proper fireplace placement and installation, you should previously check the draft in the flue, since good draft is a condition for proper fireplace operation. Check of the draft strength is best performed by using a candle, see figure.



Draft strength depends on the following variables:

- on the flue soundness,
- on the atmospheric conditions (season)
- on the soundness of the fireplace and the other heating bodies connected to the flue,
- on the position of the house in the environment (whether it is on a hill, plain or valley)

The sound flue should satisfy the following conditions:

- To protrude above the roof top (ridge) at least 50 cm;
- To be higher than the neighboring house that is very close to the flue, a tree or some other barrier.
- To have a diameter of at least 14 x 14 cm (half a brick)

4. To be in the internal walls of the house and where it is in the external walls, it should be well insulated.
5. The extension should be closely connected to the flue if it is being extended.
6. It should be well cleaned, that is, it should not have bird nests on it, various dirt, deposited soot, various obstacles, holes etc.

If two flues come in parallel, then they must have separate openings for cleaning which must be well closed and there must not be holes between the flue openings.

When installing the flue you should make sure that the flue pipe does not enter deep in the flue opening, as this reduces the space for smoke output.

Then, if possible make sealing of the connection, flue pipe – flue. The stoves must not be installed at the same height if they are connected to the same flue, but at a distance of 50cm between the openings. For a fireplace that is not being used and is connected to a flue, the draft regulator, the door and the inlet air regulators in the firebox should be closed.

Atmospheric conditions also have influence to draft strength. At winter the draft is stronger since the outdoor air is colder and heavier so it presses the warm flue gasses more strongly. In summer, kindling is more difficult, because the outdoor air is warm, so the draft is weaker.

The position of the house in the environment (whether it is on a hill or on a plain) and also during windy weather, has influence on draft in the plain and on the increase of draft on the hill. With previously checked and fulfilled requirements and with proper installations and connection of the fireplace, there will not be a lack of functionality and safety in operation.

5. HANDLING AND MANNER OF USE

Before kindling the fireplace, the butterfly axis 5 should be turned in horizontal position.

Kindling of the fireplace is performed with paper and chopped wood (with maximally open regulators) set at the grate. Placing paper and chopped wood as well as wood for stoking is performed through the opening on the right lateral side, after previously opening the lateral door.

When basic ember is created you should set thicker wood, close the right door and adjust the air regulators and, as well as the draft regulator .

For economic use of the fireplace, it should be filled with wood up to the height of the front grate.

By adjusting the air regulator, the combustion speed is regulated, as well as the temperature in the room by setting the butterfly to 0, 1, 2, 3 and 4 – designations at the front side of the fireplace.

Practically for stoking the fire place, the door at the right lateral side of the fireplace should be used.

6. FIREPLACE MAINTENANCE

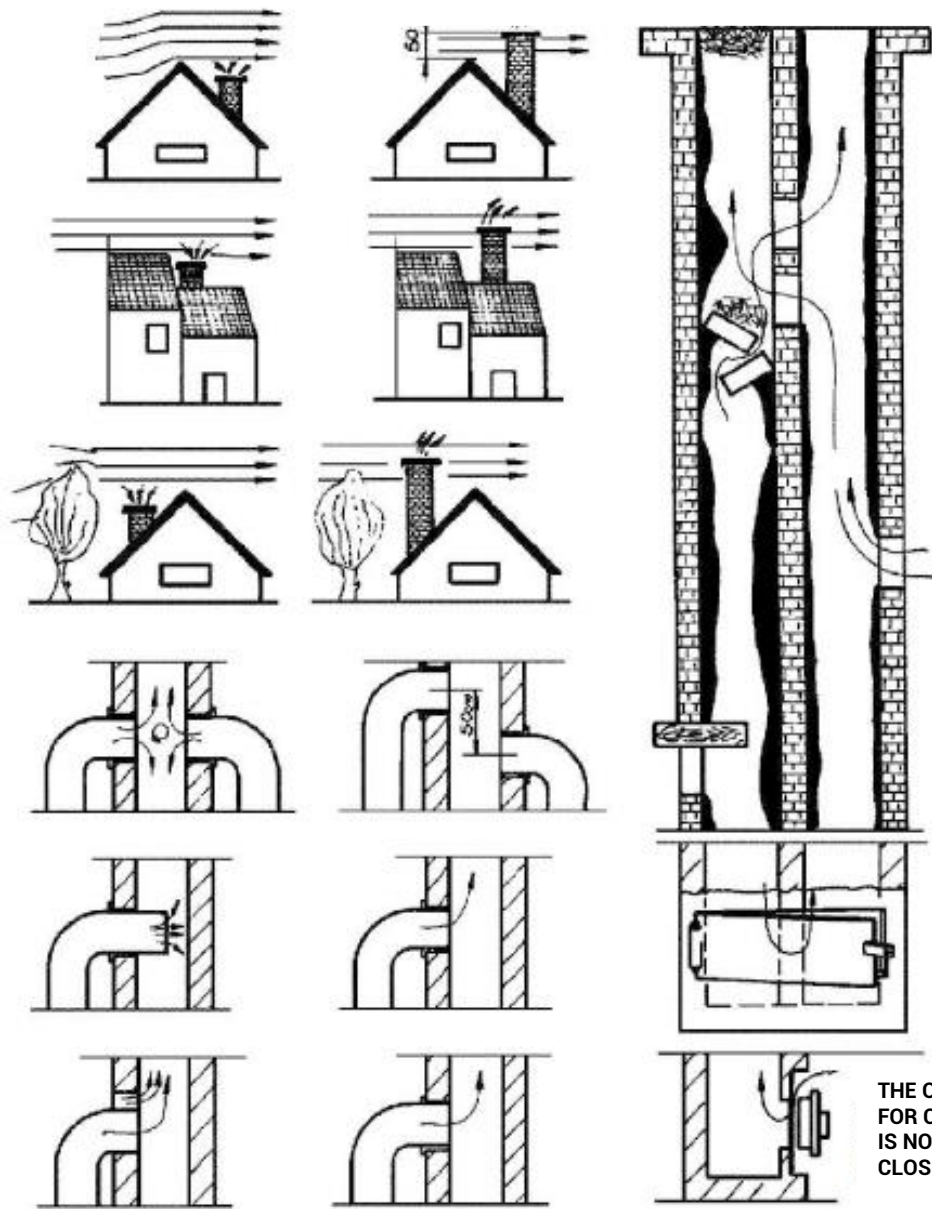
In order to better use the fireplace we recommend you the following:

- Before installing, you should compulsorily clean the firebox from the unburned fuel residues.
- The ashtray should be emptied before every stoking. The emptying of the ashtray – pulling out and transfer is performed with the pin 53, in the manner described in point 4 fireplace description.
- Clean enameled surfaces with a damp cloth and the remaining surfaces with a dry cloth.
- Clean the flue pipes temporarily and more frequently if you notice that the pull is weak.
- Make sure that the fireproof glass does not get in contact with water while the fireplace is burning, because it will burst the glass.
- The space between the front grate 20 and the air regulator 39 will often be filled with ash and should be temporarily cleaned so that the fireplace could work properly.

IMPROPER

PROPER

IMPROPER



THE OPENING FOR CLEANING IS NOT WELL CLOSED